

A.J. O'Mara Group

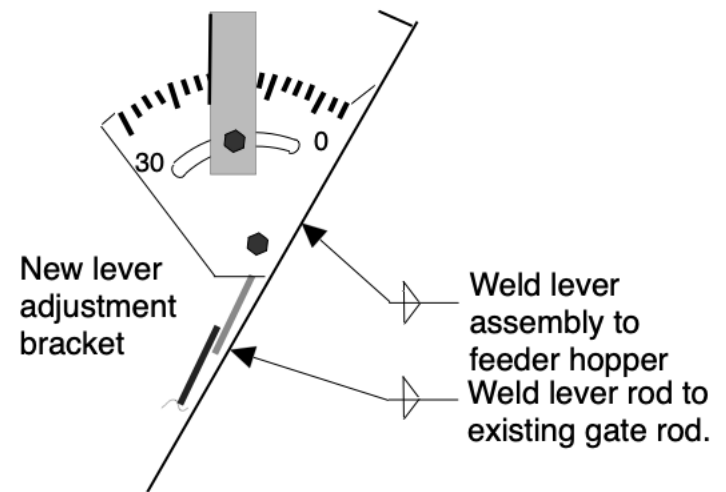
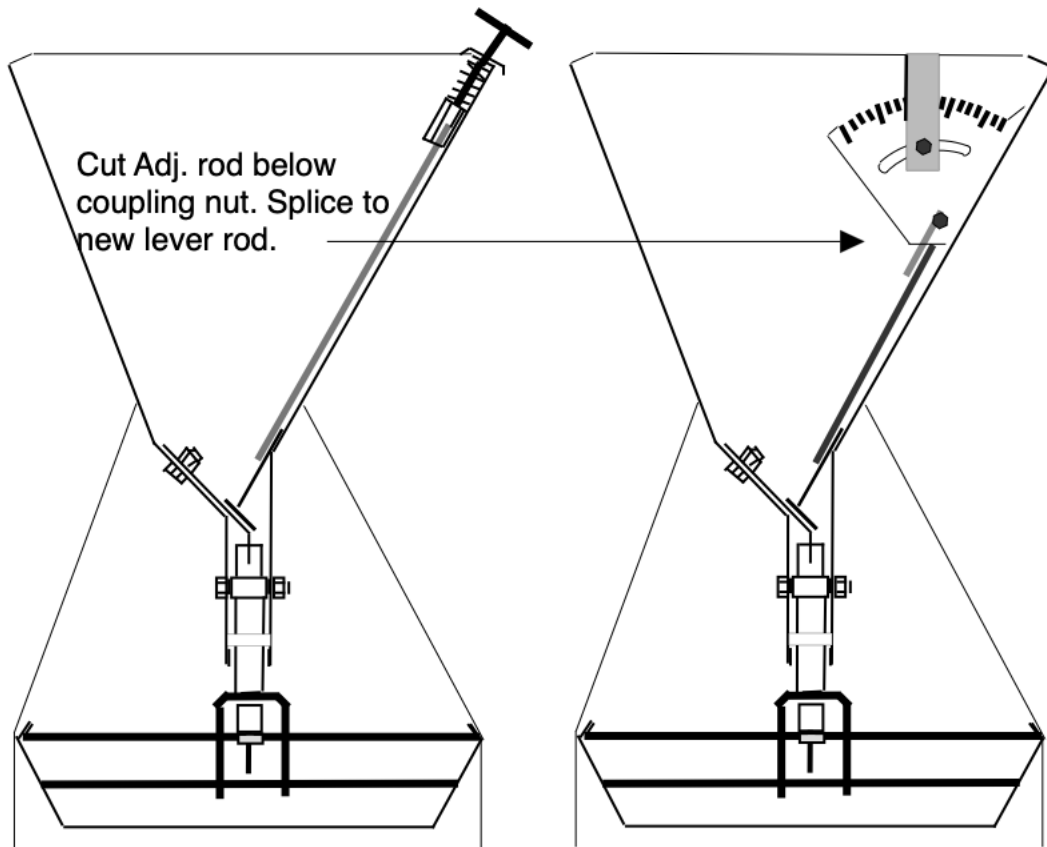
FEED EASE | Hog Feeders & Equipment



Adjustment Handle Conversion Instructions

Note: teeth on adjustment located just below top of feeder.

Lever locks into notch when adjustment made.



Lever Adjustment Enlargement